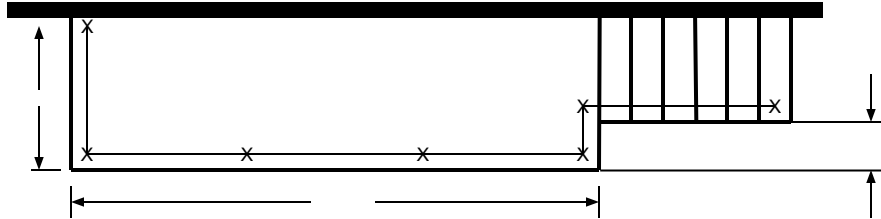
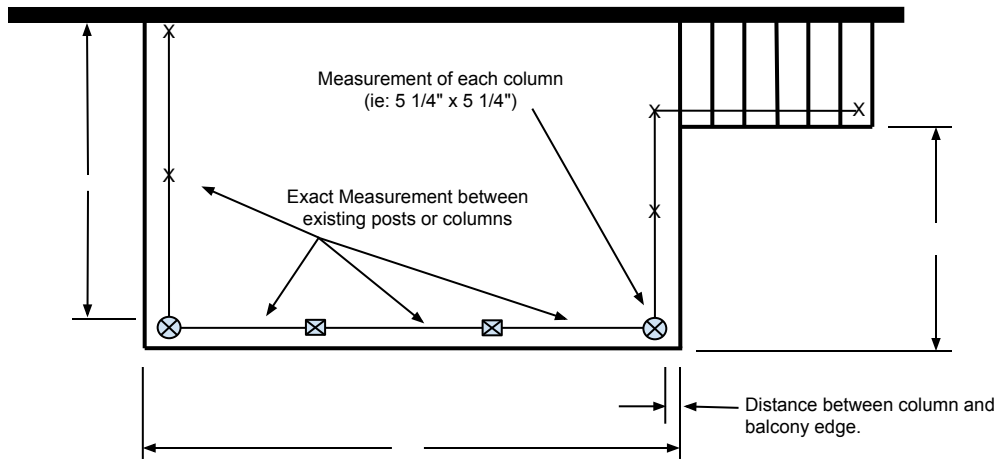


QUICK GUIDE AS TO HOW YOU SHOULD MEASURE AND DRAW YOUR DECK OR BALCONY

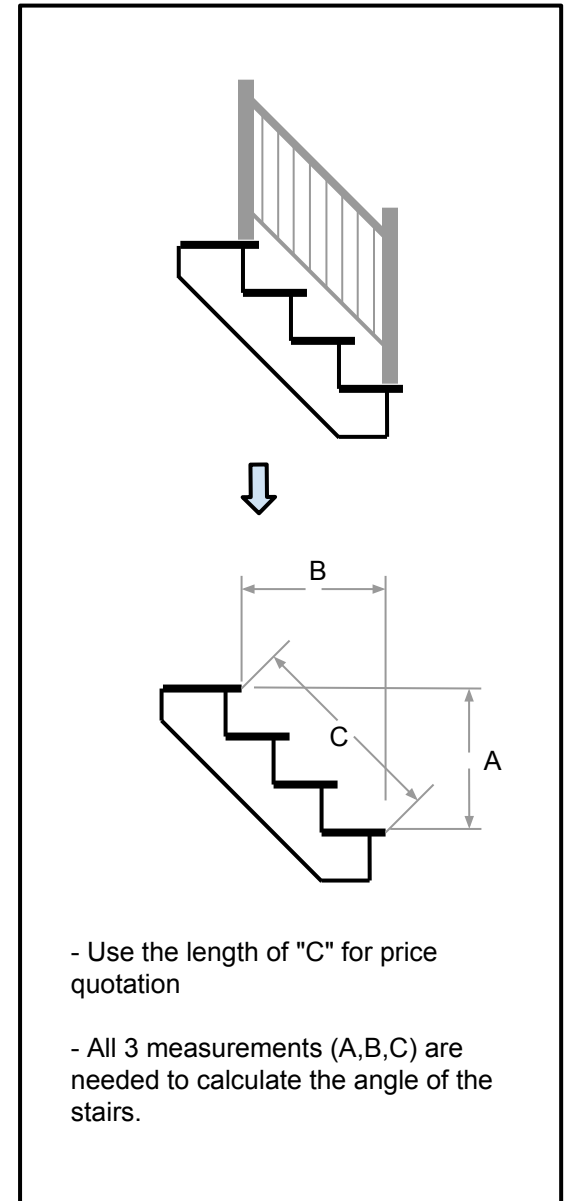
EXAMPLE 1



EXAMPLE 2



- X — X LOCATION OF RAILING SECTION
- ⊗ or ⊠ EXISTING POST OR COLUMN
- X NEW POST



- Use the length of "C" for price quotation

- All 3 measurements (A,B,C) are needed to calculate the angle of the stairs.