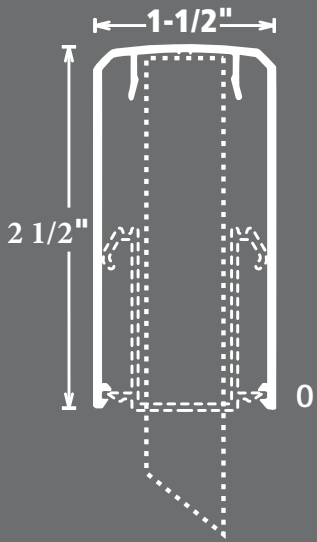
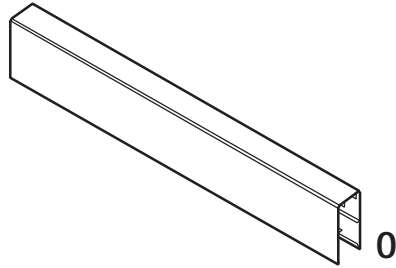


Série / Series 200

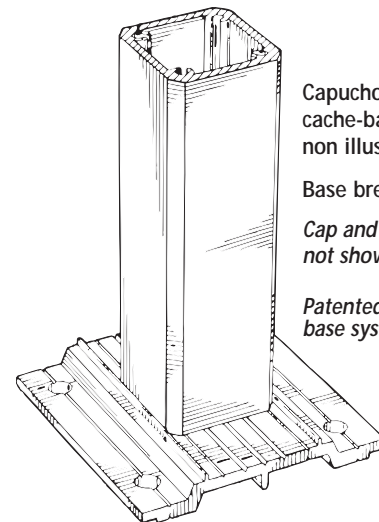
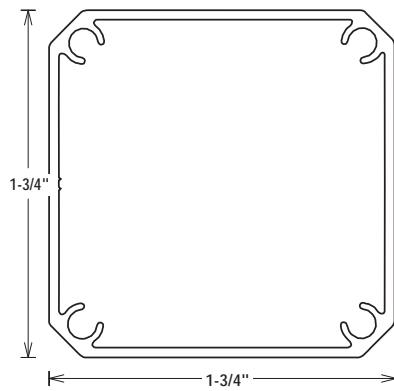
SPÉCIFICATIONS / SPECIFICATIONS



Main courante / Handrail



Poteau / Post



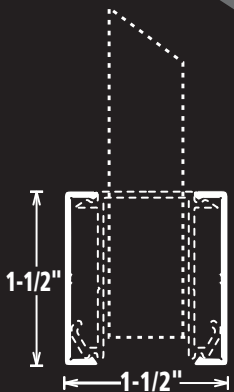
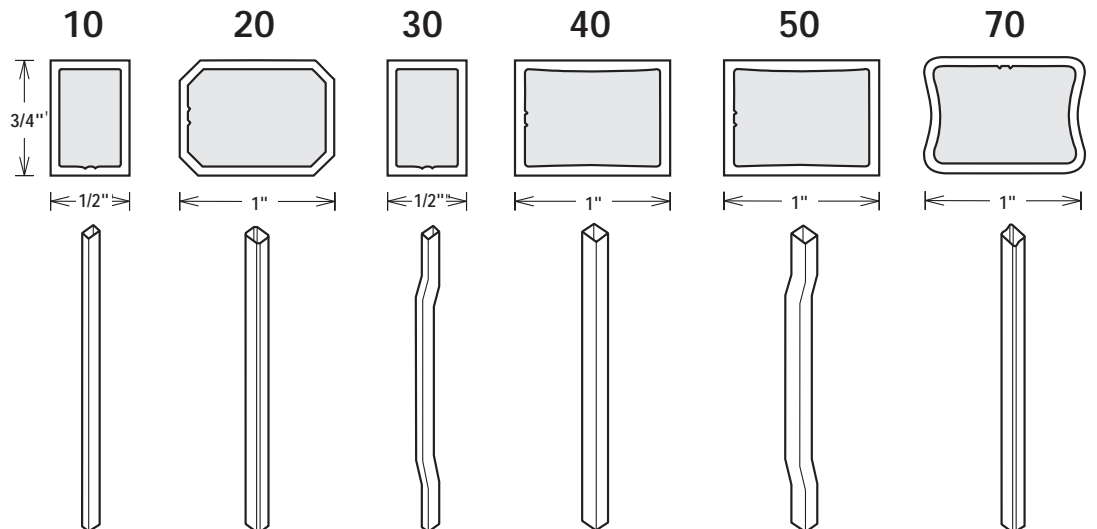
Capuchon
cache-base
non illustrés.

Base brevetée.

Cap and base
not shown

Patented
base system.

Barreaux / Spindles



Série/Series 200

GARDE-CORPS / RAILINGS



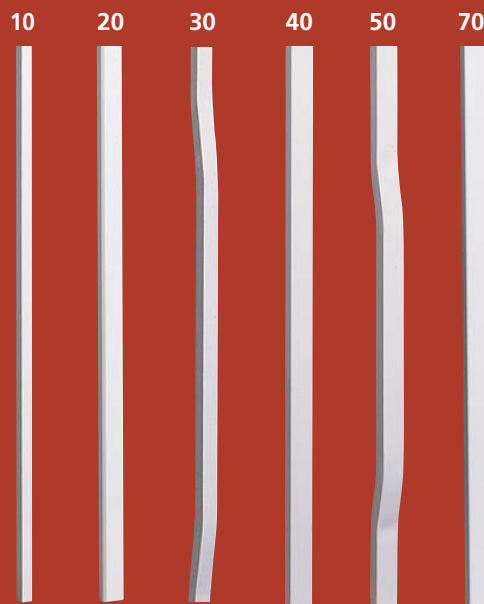
Disponible en double traverse
Available as double rail



MAIN COURANTE No 0
HANDRAIL
1-1/2" x 2 1/2"

BARREAUX / SPINDLES

POTEAU / POST
1-3/4" x 1-3/4"



1/2" x 3/4" 1" x 3/4" 1/2" x 3/4" 1" x 3/4" 1" x 3/4" 1" x 3/4"

COULEURS / COLORS	BLANC WHITE	NOIR BLACK	IVOIRE IVORY	BRUN AUTOMNE AUTUMN BROWN	BRUN COMMERCIAL COMMERCIAL BROWN	ARGILE CLAY
Poteau / Post	■	■	■	■	■	■
Barreaux / Spindles	10-20-30-40-50-70	10-20-30	10-20-30	10-20-30	10-20-30	10-20-30-70
Main courante / Handrail	■	■	■	■	■	■